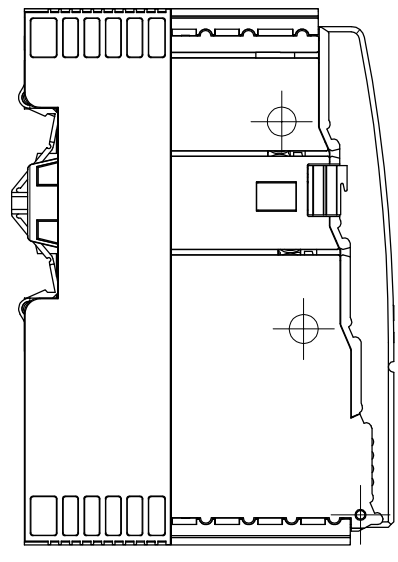
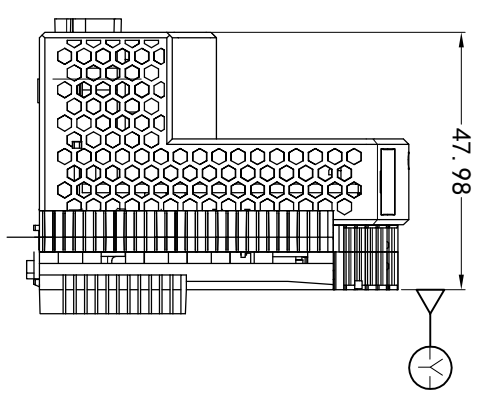
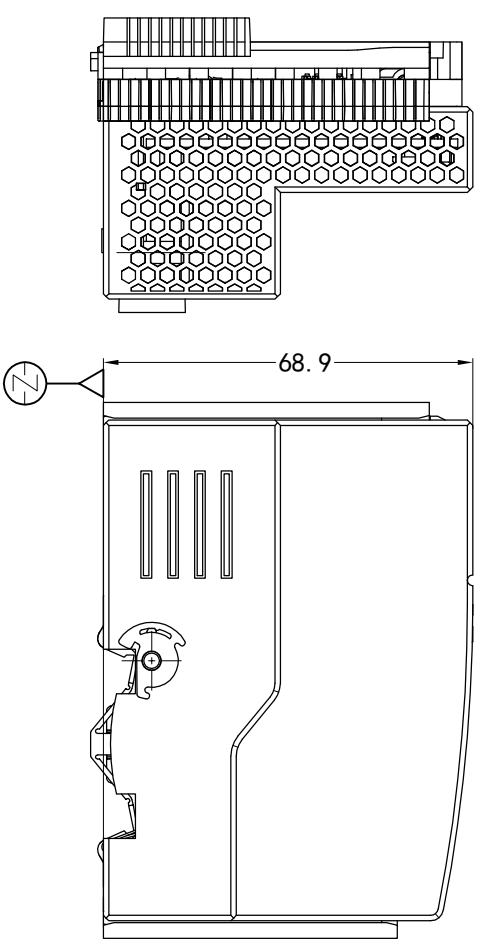
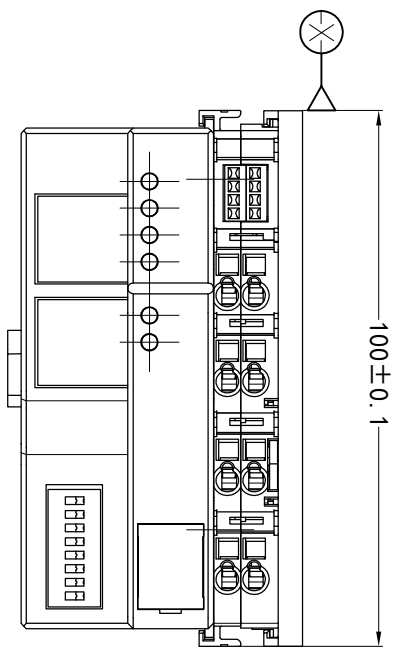


REV	CONTENT	CHK	DATE
V0.0	CONTENT	MYZ	22.10.12

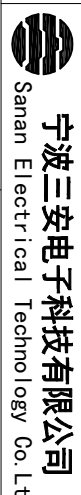


NOTES:
 1. RoHS Compliance
 2. Undimensioned tolerances:

Total Pitch Tolerances										Nominal dimension range																																																																																															
In mm										In mm																																																																																															
0	over	to	0	over	to	30	over	to	30	0	over	to	30	53	over	to	70	90	over	to	90	115	over	to	115	150	over	to	150	250	over	to	250	350	over	to	350	500	over	to	500	30	over	to	30	53	over	to	53	70	over	to	70	90	over	to	90	115	over	to	115	150	over	to	150	200	over	to	200	250	over	to	250	320	over	to	320	10	over	to	10	0.2	over	to	0.2	0.3	over	to	0.3	0.3	over	to	0.3	0.2	over	to	0.2	0.3	over	to	0.3	0.5	over	to	0.5

Technical parameter	
Overvoltage category	II
Rated voltage	24 V
Rated current	10A
Wire range	0.8~1.6mm ² -1.5mm ²
Stripping length	8~9mm

ITEM	NAME OF PART	Q'TY	MATERIAL
DWG.	CXL	DATE	22.10.12
CHK		DATE	
APP.		DATE	
SIZE		A4	UNITS
SCALE		1:1	SHEET/OF
NAME		SA-001-1A	
DWGNO.		XXXXX	



宁波三安电子科技有限公司
 Sanan Electrical Technology Co. Ltd